



# TerminEdge™ EX MB

FASCIA SYSTEM

Extruded Aluminum  
Retainer for Built Up  
and Modified Roofs

## Installation Guide for TerminEdge EX MB Fascia

4 COMMERCE WAY, ARDEN, NC 28704 USA  
800-892-9173 828-676-1700  
OMGEDGESYSTEMS.COM



**EdgeSystems**



# Installation Guide for TerminEdge™ EX MB Fascia

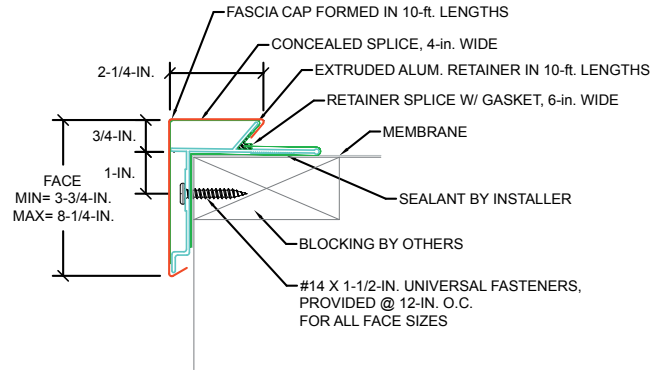
(For Built Up and Modified Roofs)

ANSI/SPRI/FM4435/ES-1 TEST PRESSURES UP TO 260 PSF (HORIZONTAL)

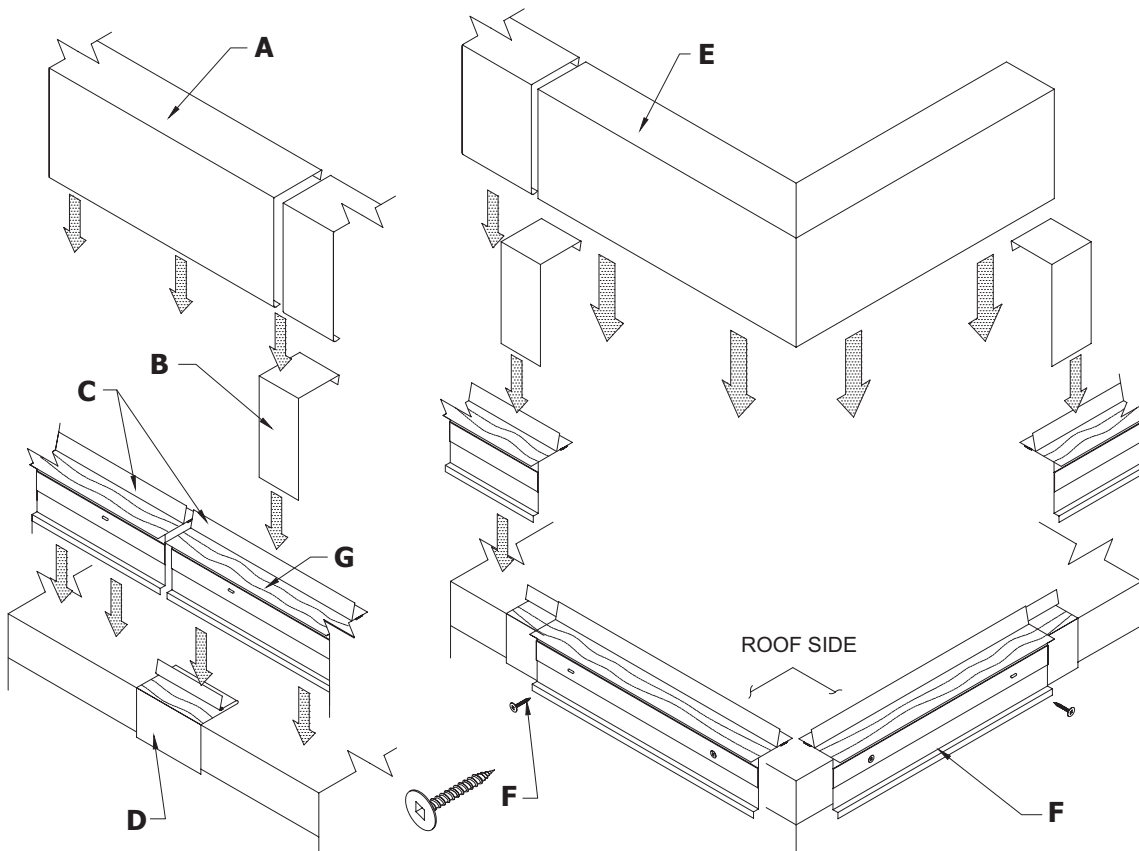
**FM** **CLASSIFIED**  
**UL** **ANSI/SPRI/FM4435/ES-1 TESTED**  
 Approved



Florida Product Approval



PRE-DRILL WITH 3/16-IN. DRILL BIT FOR MASONRY CONDITIONS.



**A. Fascia Cover**

10'-0" Lengths

**B. Concealed Joint Splice**

4" Lengths

**C. Extruded Retainer**

10'-0" Lengths

**D. Retainer Splice With Gasket**

6" Lengths

**E. Fascia Miter Cover**

(Outside Corner Shown)

**F. #14 x 1-1/2" Universal Fastener**

at 12" o.c. (6" from ends)

(Included & Required)

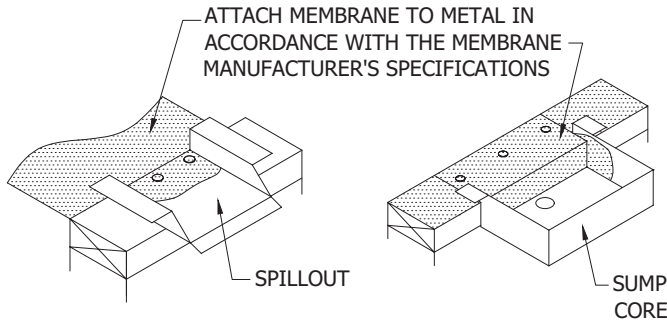
**G. Non-Hardening Sealant**

Continuous Bead of Sealant

(By Installer)

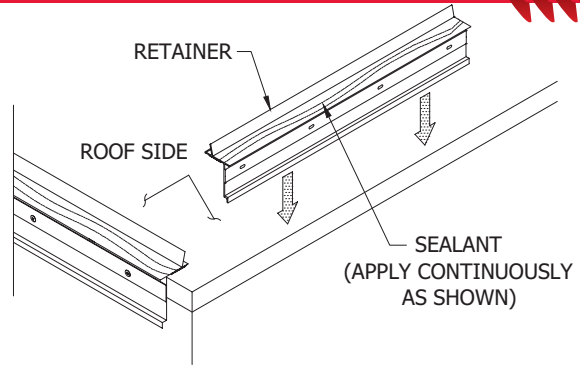


**EdgeSystems**



### STEP 1: Consider Sump Core & Spillout Locations

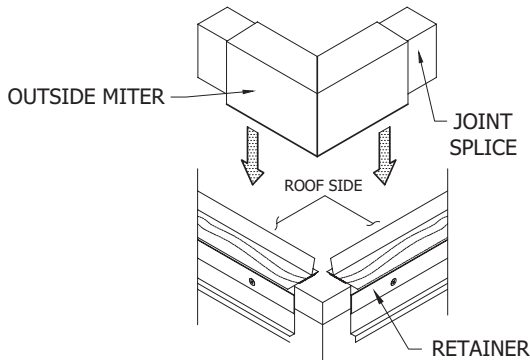
Locate sump cores where downspouts will be located. Sumps are installed prior to the retainer. The retainer butts up to side(s) of sump core. Spillouts are installed along with the fascia lengths as required. Refer to "Spillout & Sump Core Install Guides" for more info on installation if necessary.



### STEP 2: Installing Retainer

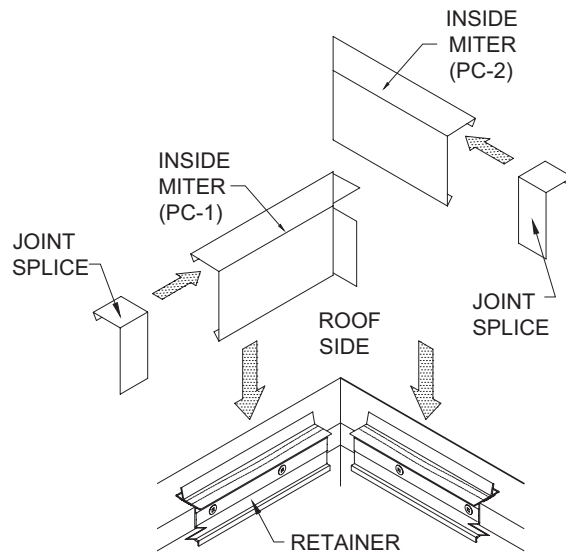
Apply a continuous bead of the roofing manufacturer's sealant to the bottom side of the retainer. Set the retainer onto the roof edge over membrane placing as close to corner as possible being sure to allow for adjacent retainer. Finally using the mechanical fasteners provided secure the assembly to the substrate. Install a retainer splice onto each end of the retainer leaving a gap between sections (see below for gap size).

**Note: Pre-drilling for Masonry requires a 3/16" Pilot Hole. Allow 1/8" gap between the retainer sections for thermal expansion (1/4" if temperature is below 40°F)**



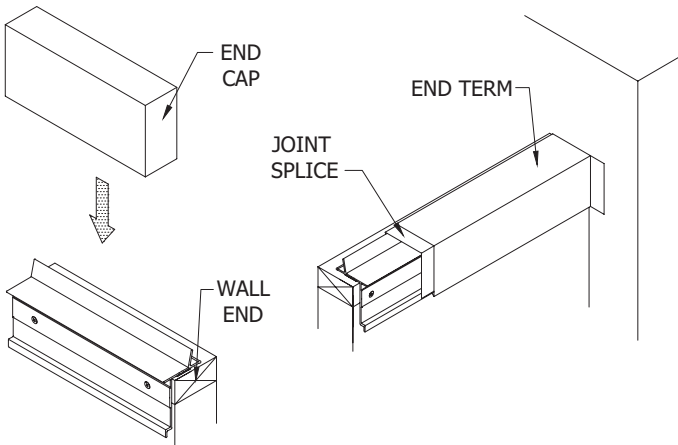
### STEP 3: Installing Outside Fascia Miters

Locate the miter and concealed joint splice for the appropriate corner. Place a splice in each side of the miter, hook the top flange of the miter onto the top flange of the retainer rotate the fascia outward towards the outside of the building. Lastly press down on the top flange of the fascia to snap the bottom hook onto the bottom of the retainer. Make sure that the hook of the fascia has fully engaged onto the retainer.



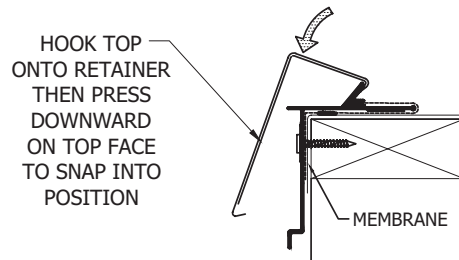
### STEP 4: Installing Inside Fascia Miters

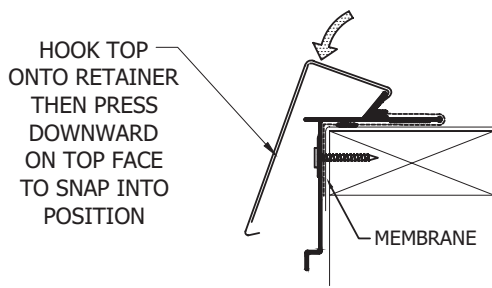
Locate the two piece miter and concealed joint splices for the appropriate corner. Place a splice in each side of the miter, hook the top flange of PC-1 onto the top flange of the retainer, and rotate the fascia outward towards the outside of the building. Press down on the top flange of the fascia to snap the bottom hook onto the bottom of the retainer. Ensure the bent flange of PC-1 is seated in the corner and that the hook of the fascia is fully engaged on the retainer. Install PC-2 in the same manner, and by overlapping onto the bent flange of PC-1 and by overlapping the top of the PC-1 miter section.



### STEP 5: Installing Fascia End Caps and End Terms

Install end caps and end terms by hooking top and pressing top face downward to snap fascia into place.

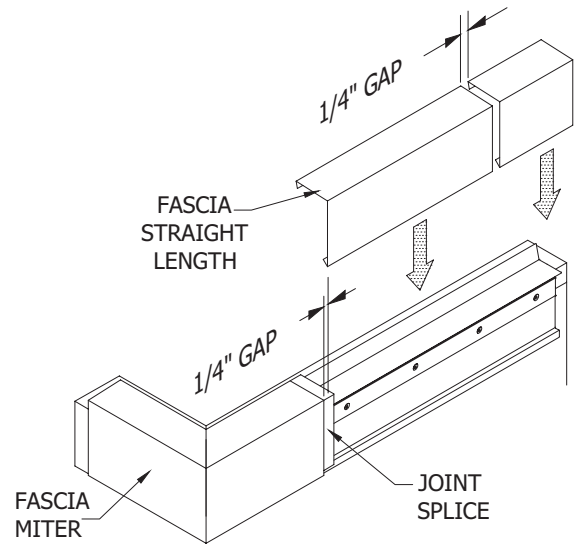




### STEP 6a: Installing Fascia Straight Lengths

Place a concealed joint splice in the opposite end of the installed miter or end cap. Install the fascia by hooking top and pressing top face downward to snap fascia into place. **Allow a 1/4" gap between fascia sections for thermal expansion.** Review lengths of all straight pieces prior to cutting to avoid creating relatively short sections of fascia adjacent to full length sections.

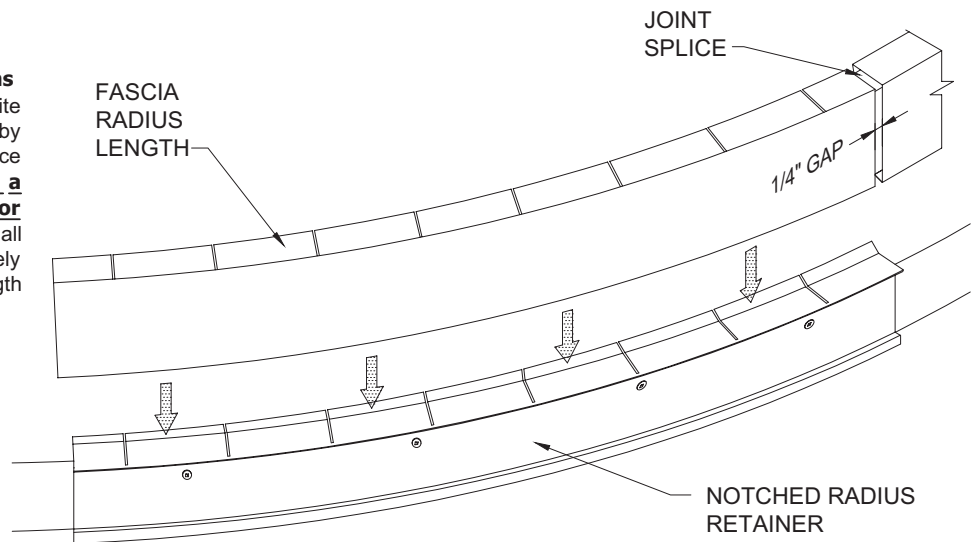
**Note: There should be a joint splice at every joint.**



### STEP 6b: Installing Fascia Radius Lengths

Place a concealed joint splice in the opposite end of any adjacent piece. Install the fascia by hooking the top and pressing the top face downward to snap fascia into place. **Allow a 1/4" gap between fascia sections for thermal expansion.** Review lengths of all pieces prior to cutting to avoid creating relatively short sections of fascia adjacent to full length sections.

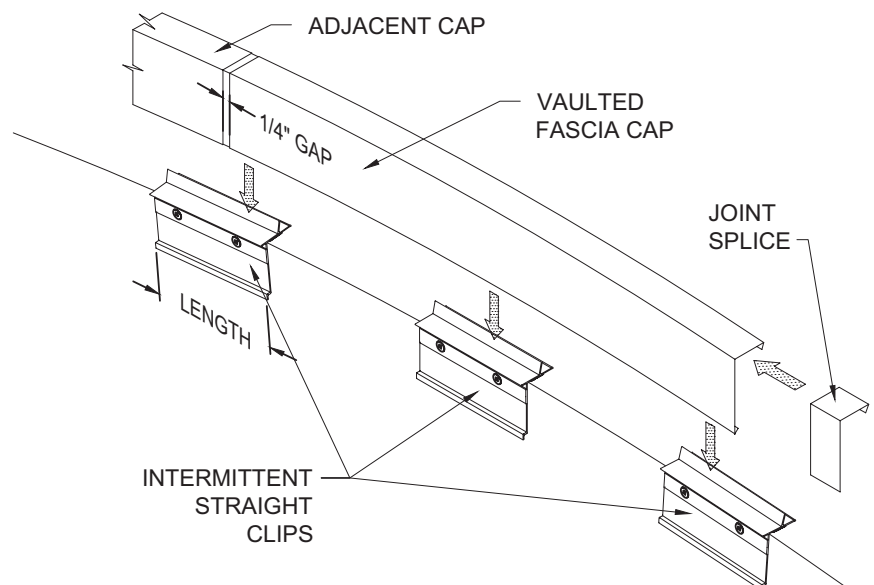
**Note: There must be a splice at every joint.**



### STEP 6c: Installing Fascia Vaulted Lengths

Vaulted TerminEdge uses intermittent straight clips. The lengths of the clips may vary depending on the vault radius specified. Locate a clip at each joint location so that the cap will overlap the clip to the middle of the clip. Secure the clip with the fasteners provided in the pre-punched holes. Also place a clip at the middle of each cap section and secure with the fasteners provided. Place a concealed joint splice in the opposite end of any adjacent cap piece. Install the fascia cap by hooking the top and pressing the top face downward to snap fascia into place. **Allow a 1/4" gap between fascia sections for thermal expansion.** Review lengths of all pieces prior to cutting to avoid creating relatively short sections of fascia adjacent to full length sections.

**Note: There must be a splice at every joint.**

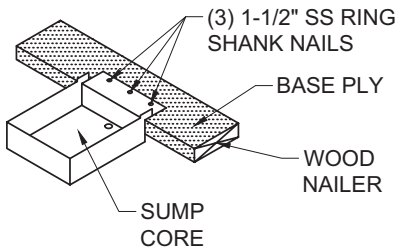


# Installation Guide for TerminEdge™ EX MB - Sump Cores & Spillouts

## SUMP CORES

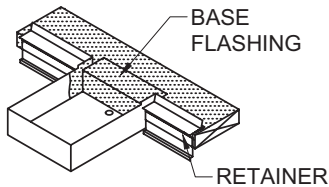
### STEP 1: Installing Sump Core

Locate sump cores where downspouts will be located. Sumps are installed prior to the retainer. Fasten sump core to the wood nailer with a min. of (3) 1-1/2" ss ring shank nails.



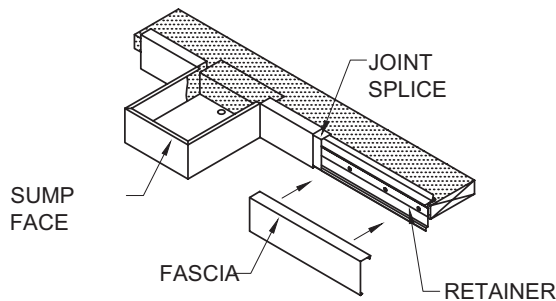
### STEP 2: Installing Retainer at Sump Core

Butt retainer to the sump core. Apply base flashing strip into the sump core as required by membrane manufacturer's specifications. Splice and seal the membrane in and around the sump core in accordance with membrane manufacturer's specifications.



### STEP 3: Installing Sump Face

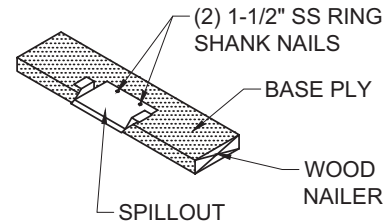
Place a concealed joint splice in each end of sump face. Install sump face by hooking top and pressing top face downward to snap fascia into place.



## SPILLOUTS

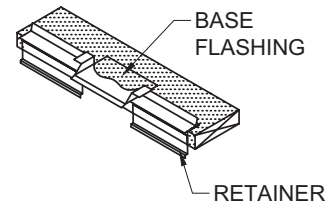
### STEP 1: Installing Spillout

Spillouts are installed along with the fascia lengths as required. Spillouts are installed prior to the spring clip. Fasten spillout to the wood nailer with a min. of (2) 1-1/2" ss ring shank nails.



### STEP 2: Installing retainer at Spillout

Butt retainer to the spillout. Apply base flashing strip into the spillout as required by membrane manufacturer's specifications. Splice and seal the membrane in and around the spillout in accordance with membrane manufacturer's specifications. (DO NOT TO LEAVE ANY SHARP EDGES AGAINST THE BASE PLY.)



### STEP 3: Installing Spillout Face

Place a concealed joint splice in end of fascia. Position spillout fascia in a manner to engage the top of the retainer. Press top face downward to snap fascia into place.

